

PIPING SYSTEMS



VIBRATION CONTROL OF PIPING SYSTEMS

Pipework dampers are frequently used for the protection of piping systems and other components in power plants and industrial facilities. GERB pipework dampers are highly effective viscoelastic elements, well proven in numerous installations. Already in 1951 Viscodampers® were patented for pipe applications.

Practical experience in power plants shows that the reliability and life expectancy of piping systems are largely determined by their dynamic characteristics and behavior. Dynamic loads are experienced during normal, continuous operation and during abnormal, potentially disastrous situations.

Hydrodynamic forces and pressure pulses, i.e. due to abrupt opening or closing of valves, cause vibrations of piping and aggregates as do connected pumps, compressors, or turbines. In addition, external excitations caused, for example, by disastrous events like earthquakes may be transmitted to the piping through the support structure. In all cases the resulting pipe deflections can be excessive and permissible loads may be exceeded.

As piping systems have only small internal damping, dynamic excitations are especially critical when frequencies match the natural frequencies of the piping system. In such cases piping motions may be amplified due to resonance effects. But also operational vibrations with relatively small deflections can cause material fatigue and pipe damage.

GERB pipework dampers consist of three components:

- » the damper housing
- » the damping fluid
- » the damper piston, which is immersed in the fluid, and which can move in all directions up to the damper walls.

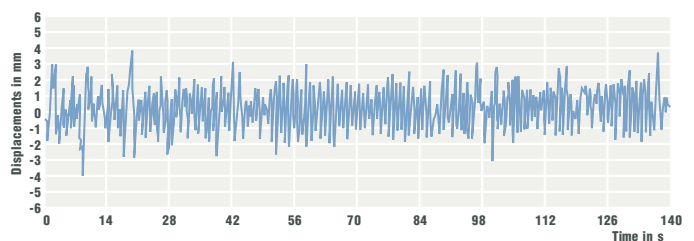
The damping forces result through shearing and displacing of the damping fluid. The damping effect is nearly velocity proportional.



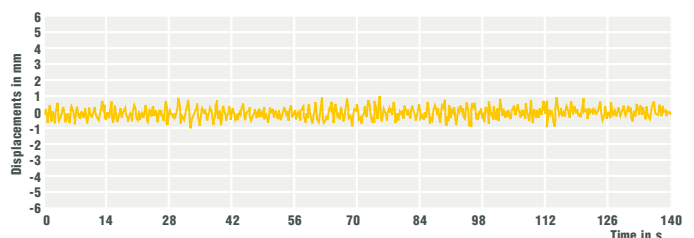
Typical GERB pipework damper

Based on the experience in design and application of Viscodampers® for vibration control of machinery and structures, an element was created that shows several advantages compared to other standard pipe supports:

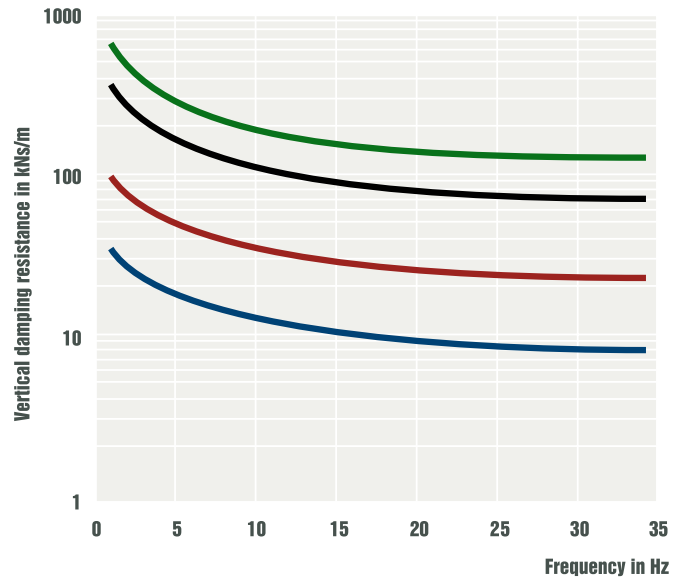
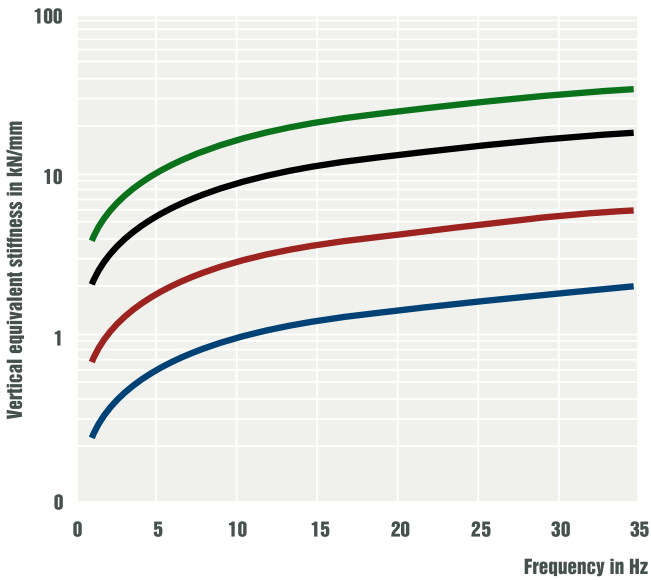
- + GERB pipework dampers reduce vibrations in all degrees of freedom.
- + GERB pipework dampers develop high damping forces in case of shock loads, whereas slow motions are not hindered.
- + GERB pipework dampers reduce operational vibrations by selectively increasing system damping.
- + GERB pipework dampers react to vibrations immediately without delay or time-lag.
- + GERB pipework dampers are simple in design and handling and therefore cost-saving. There are no parts of wear and tear, and they are maintenance-free.



Pipe vibrations without (see above) and with GERB pipework dampers (see below)



Typical curve of vertical equivalent stiffness and damping resistance of GERB pipework dampers



The nominal load is the maximum force of the damper at operating temperature. The damping resistance is defined as the ratio between maximum damping force and maximum velocity. This value is frequency dependent and describes best the dissipative properties of the viscous elastic dampers.

The equivalent stiffness is defined as the ratio of maximum damping force and maximum displacement. This value is frequency dependent and is used in calculation programs that cannot work with velocity proportional damping values. The permissible displacement is the sum of thermal expansion, shock response and operating vibration. Usually permissible displacements are ± 40 mm in horizontal and vertical direction. Dampers with larger displacements are also available.

In addition, dampers can be preset to accommodate larger thermal expansions. The operating temperature is the maximum temperature in the damping fluid during continuous operation.

There are several characteristics, which may be used for the design and the selection of GERB pipework dampers:

- + Nominal load [kN]
- + Vertical and horizontal damping resistance [kNs/m]
- + Vertical and horizontal equivalent stiffness [kN/mm]
- + Operating temperature [°C]

Depending on the application and temperature range GERB is using different damper designs and damping fluids. We categorize the following types:

- + Type VES for nuclear facilities according to KTA guideline 3205.3 und TÜV performance specification for aptitude tested, non integral supports of piping systems and components. (Dampers type VRD are identical in construction but will be delivered without tests and documentation).
- + Type RRD and RRD..TU for conventional power plants and chemical facilities.
- + Type RHY for general industrial applications.
- + Type VD..TU approved by VO Bezopasnost (Russian Nuclear Regulator) for the protection of pipes and components especially in case of earthquakes.



Installation of a pipework damper type VES

Pipework dampers type RRD..TU and VD..TU are applicable for operating temperatures between - 30 °C and + 130 °C.

Pipework dampers type VES (VRD) and RRD are supplied with damping fluids for 20 °C, 30 °C, 40 °C, 50 °C, 60 °C and in special cases for 70 °C and 80 °C.

Pipework dampers type RHY are applicable for operating temperatures between - 10 °C and + 40 °C.

Tips for Pipework Designer

As pipework dampers do not support any static loads they have to be used in combination with other support elements, as spring hangers, gliding bearings and so on.

GERB pipework dampers are most effective when mounted at the locations where the largest displacements will occur. These locations are determined by calculation or general experience. To dampen several vibration modes, it is better to employ several small dampers instead of one big damper, and to distribute them uniformly over several points of support.

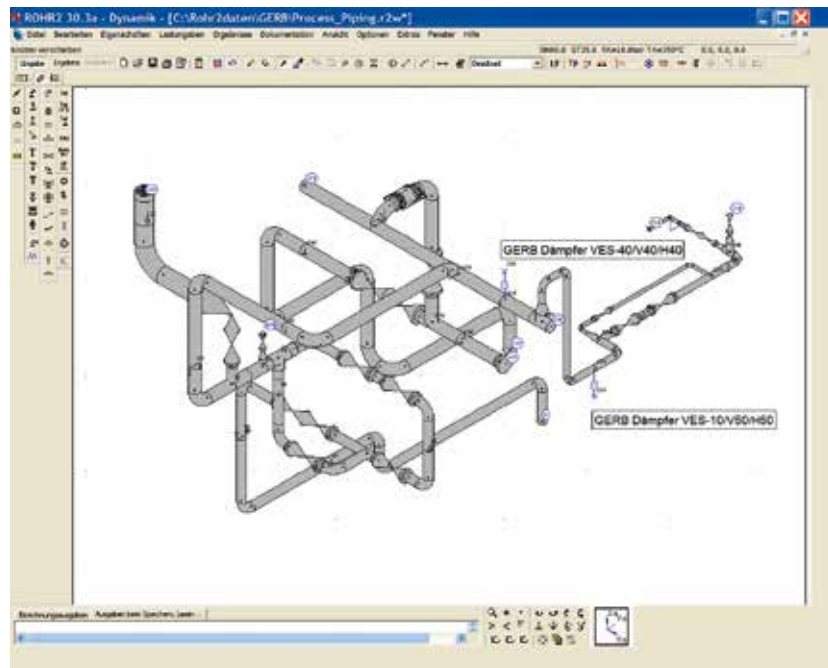
With the aid of modern pipe stress analysis software like ROHR2 and dPipe the effects of viscoelastic dampers can be

analysed already during the design stage and the dissipative properties of these elements can be actualized.

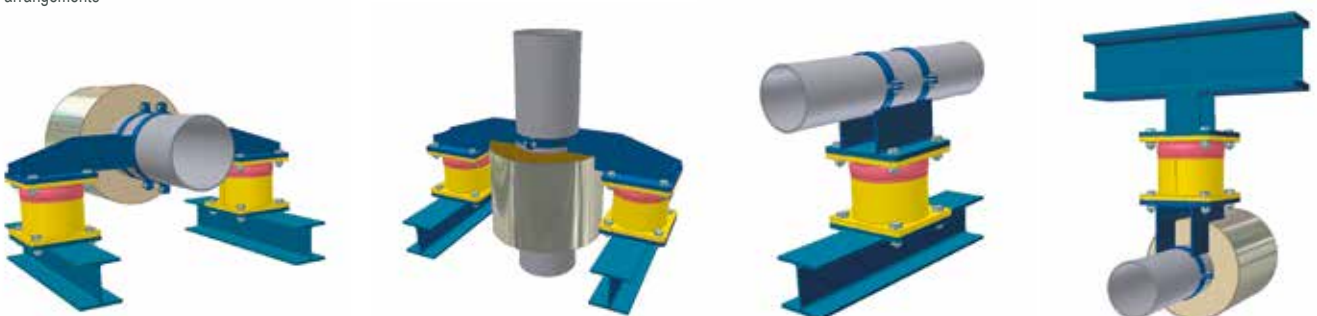
GERB pipework dampers can be installed below, above, or next to the pipe. Either the upper part of the damper (damper piston) or the lower part (damper housing) can be connected to the pipe. As the damper develops forces in all directions the load does not need to be in line with the damper axis. However, dampers always have to be transported and installed upright to prevent leakage of the viscous fluid.

GERB will assist you selecting the optimum dampers and finding the best locations for your installation.

Screenshot of a piping program



Damper arrangements



Reference List (Selection)

Vibration Control of Piping Systems

Country	Project / Plant
Nuclear Power Plants	
Argentina	NPP Atucha
Armenia	NPP Metzamor
Belgium	NPP Doel
Brazil	NPP Angra
Bulgaria	NPP Kozloduy
China	NPP Daya Bay NPP Lingao NPP Tianwan
Czech Republic	NPP Dukovany
Finland	NPP Loviisa NPP Olkiluoto
Germany	NPP Biblis NPP Brokdorf NPP Brunsbüttel NPP Grohnde NPP Grundremmingen NPP Isar NPP Neckarwestheim NPP Stade
Hungary	NPP Paks
India	NPP Kudankulam
Lithuania	NPP Ignalina
Romania	NPP Cernavoda
Russia	NPP Balakovo NPP Kalinin NPP Leningrad
Slovakia	NPP Bohunice NPP Mochovce
Slovenia	NPP Krsko
Sweden	NPP Forsmark NPP Okarshamn NPP Ringhals
Switzerland	NPP Gösgen NPP Leibstadt
USA	NPP Braidwood NPP Calvert's Cliff NPP Farley NPP Riverbend NPP Shearon Harris

Country	Project / Plant
Conventional Power Plants	
Austria	PP Irching PP Simmering
Belgium	PP Rodenhuzen
Chile	PP Mejillones
China	PP FuZhou, Fujian PP GuJiao, Shaanxi PP RiZhao, Shandong PP Shantou, Guangdong PP WaiGaoQiao, Shanghai PP YangLiuShu, Tianjin
Czech Republic	PP Ledvice
Denmark	PP Avedørevaerket PP Fynsværke
Egypt	PP Suez
Finland	PP Lappeenranta PP Rauhalhti
Germany	PP Mannheim PP Niederaussem PP Scholven PP Schwarze Pumpe
Greece	PP Kardias
Hungary	PP Gönyü
India	PP Rihand PP Simhadri PP Talcher
Netherlands	PP Maasbracht PP Moerdijk
Poland	PP Lagisza
Qatar	PP Ras Laffan
Slovakia	PP Malzenice
Spain	PP Alcudia
Syria	PP Nasserieh PP Zayzoun
Turkey	PP Antalya PP Iskenderun
United Kingdom	PP Severn
USA	PP Baltimore PP South California

Country	Project / Plant
Chemical Plants	
Algeria	Arzew, Ammonia / Urea
Belgium	BASF Antwerpen ExxonMobil Antwerpen Refinery
Egypt	Damietta, Ammonia / Urea (EAgrium) Helwan, Ammonia / Urea
Germany	Basell Polyolefine BASF Ludwigshafen Bayer Leverkusen Bayer Uerdingen DOW Stade PCK Refinery Phillippsburg
Israel	Carmel Olefins, Haifa
Kuwait	EQUATE Petrochem. Plant
Norway	Karstø Processing Plant
Saudi Arabia	Safco IV Ammonia / Urea
United Kingdom	Stallingborough TIO2 Plant
USA	Eastman Chemical

Country	Project / Plant
Offshore	
Canada	FPSO „SeaRose“
Denmark	South Arne Platform
Germany	Mittelplate Plattform
Netherlands	FPSO „Aoka Mizu“
Norway	Draupner Platform (StatoilHydro) Ekofisk (ConocoPhillips) Oseberg Ost Platform (StatoilHydro) Ringhorne (ExxonMobil) Staffjord C Platform (StatoilHydro) Troll A Platform (StatoilHydro)
United Kingdom	Andrew Platform (BP) Curlew Platform (Shell) Dunbar Platform East Brea Platform Jade Platform Murchison Platform Murdoch Platform Ninian South Platform Piper Platform (Talisman) Tartan Platform (Talisman)



To prepare a quotation please provide the following information of the piping system:

- » Operating temperature [°C]
- » Temperature range (indoor or outdoor application) [°C]
- » Pipe weight to be dampened [kN]
- » Thermal expansion vertical and horizontal [mm]
- » Type of excitation and frequencies [Hz]
- » Dynamic amplitudes [mm]

GERB Schwingungsisolierungen GmbH & Co. KG

Roedernallee 174 – 176	Ruhrallee 311
13407 Berlin, Germany	45136 Essen, Germany
+49 30 4191-0	+49 201 26604-0
info@gerb.com	info@gerb.com
GERB.COM	

©GERB Schwingungsisolierungen GmbH & Co. KG | All rights reserved.
Certified to: ISO 9001 ISO 14001 DIN EN 1090 BS OHSAS 18001

**VIBRATIONS CAN BE CONTROLLED
– WHEREVER THEY OCCUR**